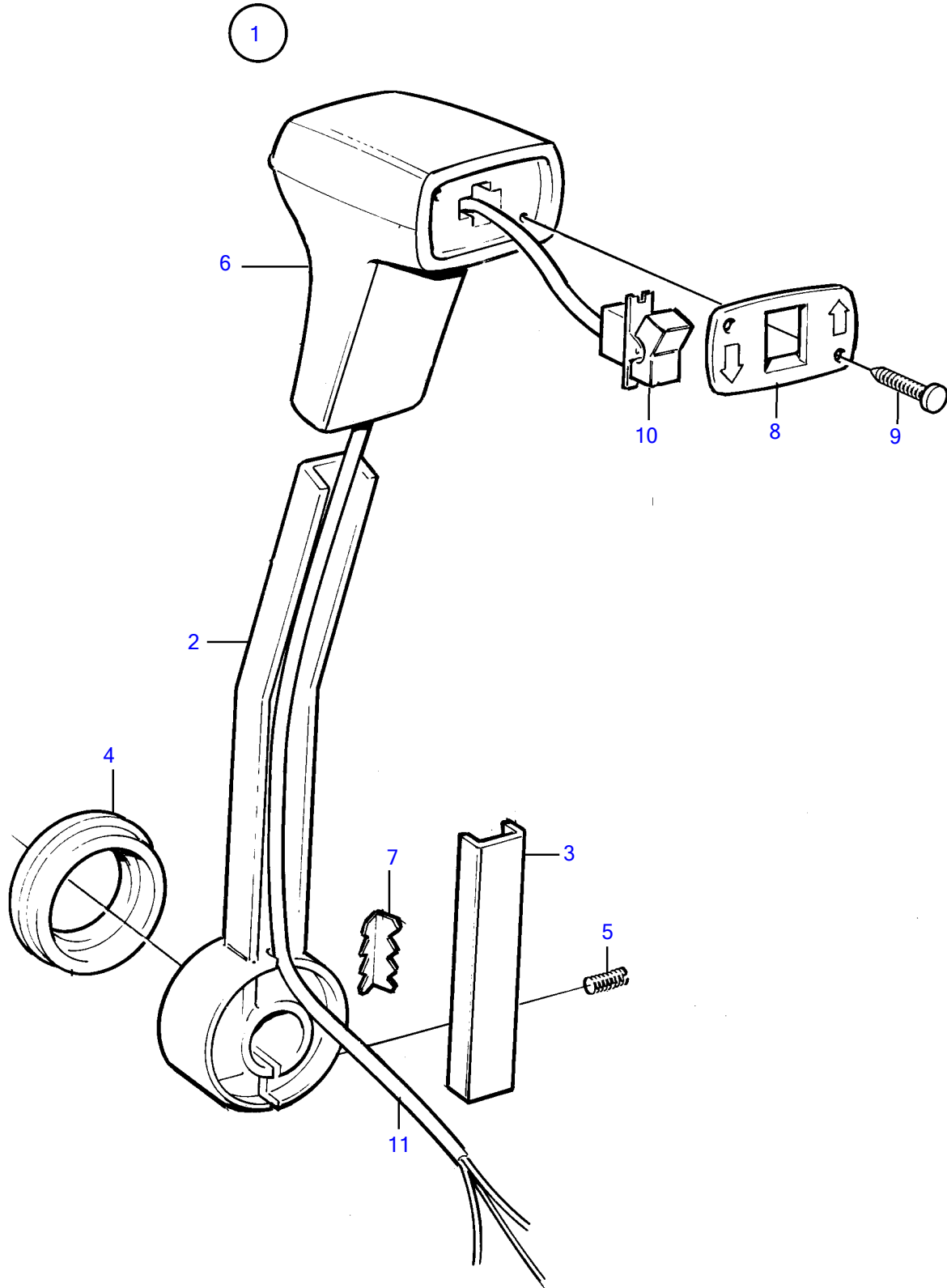


KAD42P-A, KAMD42P-A



KAD42P-A, KAMD42P-A

REF	PART NO.	QTY	DESCRIPTION
1	1140041	1	Hand lever
2			• Lever
3	852991	1	• Rail
4	852995	1	• Ring
5	963678	1	• Hex. socket screw
6		1	• Handle
7	853000	1	• Striker plate
8	3818553	1	• Connector cap
9	853003	2	• Nail
10	853311	1	• Switch
11		1	• cables and terminals